



HIGH TECH GRINDING

The Leader

In Gear Driven Floor Grinders



INTEGRATED WITH ATLAS FSG

Autonomous Intelligent Grinder

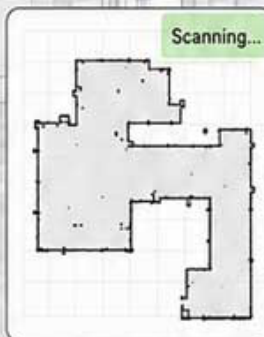
AT8 Autonomous Navigation Workflow

Easy to Understand, Easy to Use



1 Create Map

Move the machine around the jobsite to complete map scanning.



2 Save Map

After mapping is completed, save the current map.

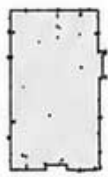


3 Fine Edit the Map

Make simple corrections to the map.

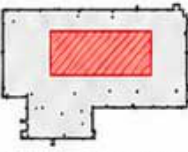
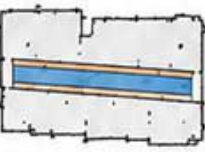
• Erase Unwanted Objects

Remove temporary objects accidentally scanned into the map, such as people or tools.



• Add Obstacles

Manually add obstacles or no-go zones for areas LIDAR may miss, such as trenches, pits, or floor openings.

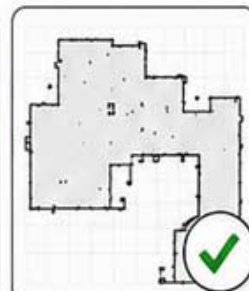


4 Enter Navigation Interface

Select the corrected map.

Map List

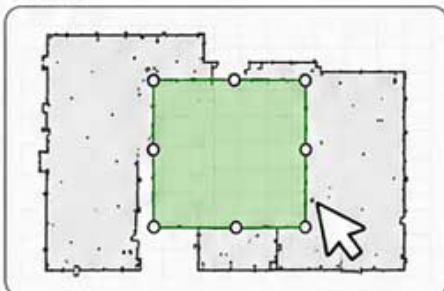
- Workshop_A_Map_v2 ✓
- Warehouse_B_Map_v1
- Garage_C_Map_v1
- Plant_D_Map_v1



5 Select Work Area

Choose the area to be ground on the map.

- Select
- Rectangle
- Polygon
- Clear



6 Set Grinding Parameters

Set coverage width, start point, and other parameters.



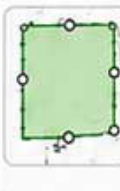
Task Parameters

- Coverage Width: 650 mm
- Grinding Speed: 2.0 m/min
- Start Point: Custom
- Travel Direction: ← →
- Repetitions: 1

7 Save Task

Save the work area and parameters as a task.

Task Preview



Task Name: Workshop_A_Zone1
Coverage Width: 650 mm
Grinding Speed: 2.0 m/min
Start Point: Custom
Travel Mode: Back-and-forth
Repetitions: 1

Save Task

8 Select Task and Start

Select the task from the task list, then the machine starts automatic grinding.

Task List

- Workshop_A_Zone1 ✓
- Workshop_A_Zone2
- Warehouse_B_Area1
- Plant_D_Area3
- + New Task

Start automatic grinding!

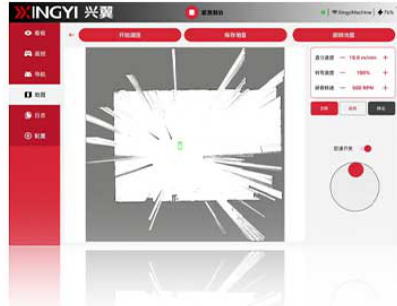


Map First → Edit → Select Area → Set Parameters → Save Task → Auto Grind

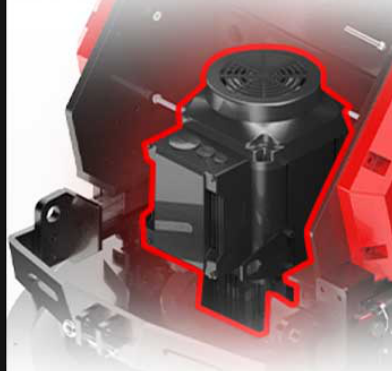
AT8 FEATURES

Discover all features and learn more about the benefits.

**DUAL-SYSTEM DIFFERENTIAL
POSITIONING: LASER +
VISUAL NAVIGATION**



**POWER SYSTEM: 18.5 kW
PERMANENT MAGNET MO**



**AI COLUMN CIRCUMVENTION:
AUTOMATED PERIMETER PATHING**



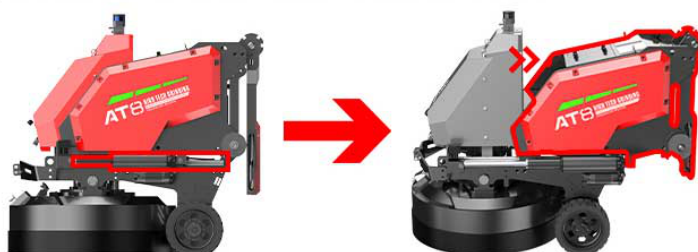
AI TOOLING MONITORING



**AI HAZARD BOUNDARY
DETECTION**

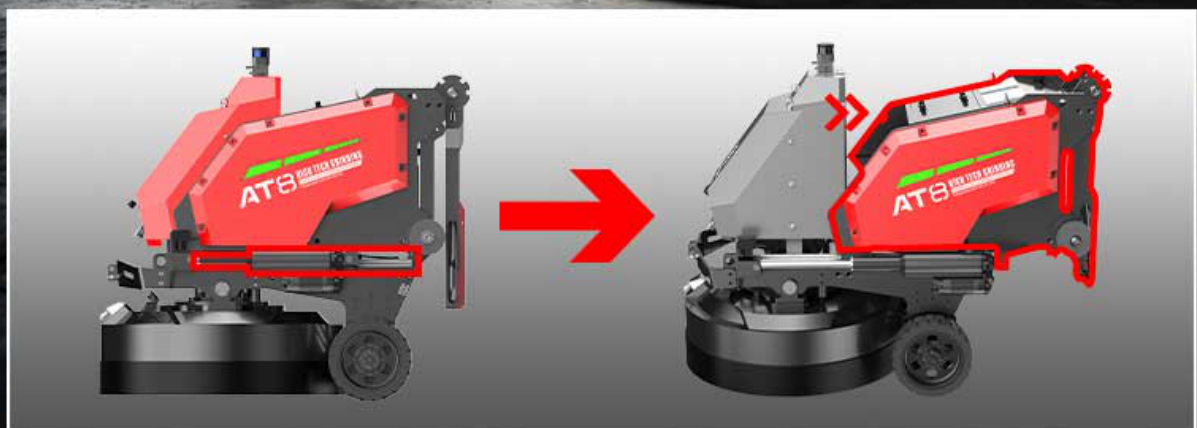


**REMOTE STEPLESS PRESSURE
ADJUSTMENT & SPLIT TILT-BACK CHASSIS**



REMOTE STEPLESS PRESSURE ADJUSTMENT & SPLIT TILT-BACK CHASSIS

AT8
Autonomous Intelligent Grinder



PRODUCT USAGE



HIGH TECH GRINDING

DUAL-SYSTEM DIFFERENTIAL POSITIONING: LASER + VISUAL NAVIGATION

AT8
Autonomous Intelligent Grinder

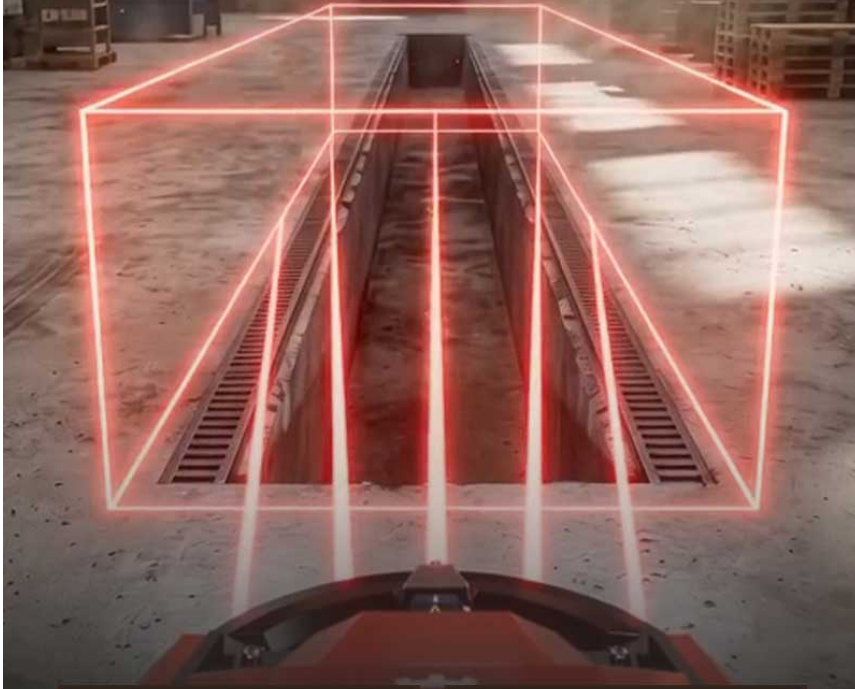


AI HAZARD BOUNDARY DETECTION

AT8

Autonomous Intelligent Grinder

· Floor height difference: Detect step edges to prevent falls.



Trench Detection

Detects floor trenches
to prevent falls.



Depression Identification

Identifies low spots to
prevent immobilization.



Surface Ponding Detection

Identifies accumulated water
to mitigate electrical failure risks.



Floor height difference

Detect step edges to
prevent falls.